

PVC-C T-Stück 90° reduzierend

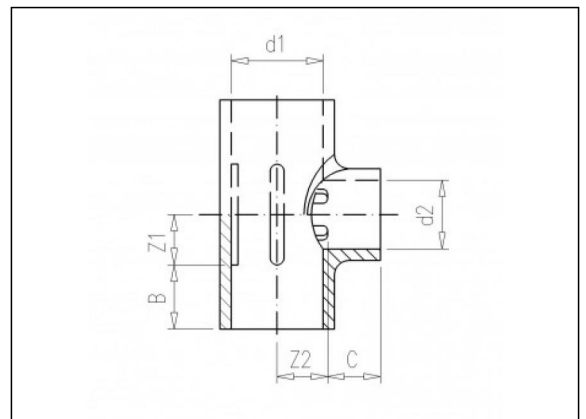
Produktinformationen

Material

- PVC-C = Polyvinylchloride post chlorinated

Herstellung

- Spritzguss



Verfügbare Artikel

ART.CODE	d1	d2	Z1	Z2	B	C	PN	Verp
7008702511	25	20	14	14	19	16	16	300
7008703211	32	25	17.5	17	22	19	16	200
7008703221	32	20	17.5	17	22	16	16	250
7008704011	40	32	23	24	26	22	16	120
7008704021	40	25	23	23	26	19	16	140
7008705021	50	32	28	28	31	22	16	80
7008705031	50	25	28	28	31	19	16	80
7008706311	63	50	33.5	33.5	38	31	16	35
7008706331	63	32	33.5	34	38	22	16	40

Van de Lande BV

Lissenveld 1 \ 4941 VK Raamsdonksveer \ The Netherlands \ t +31 (0)162 51 60 00 \ f +31 (0)162 52 14 17 \ sales@vandelande.com
 Traderegister Tilburg: 18070844 \ IBAN: NL13 RABO 0143 0035 26 \ BIC: RABONL2U \ VAT: NL 8123.91.755.B01

ART.CODE	d1	d2	Z1	Z2	B	C	PN	Verp
----------	----	----	----	----	---	---	----	------

Van de Lande BV

Lissenveld 1 \ 4941 VK Raamsdonksveer \ The Netherlands \ t +31 (0)162 51 60 00 \ f +31 (0)162 52 14 17 \ sales@vandelande.com
Traderegister Tilburg: 18070844 \ IBAN: NL13 RABO 0143 0035 26 \ BIC: RABONL2U \ VAT: NL 8123.91.755.B01

All our transactions are subject to the Van de Lande General Terms of Sale. A copy of these can be provided immediately upon your request.